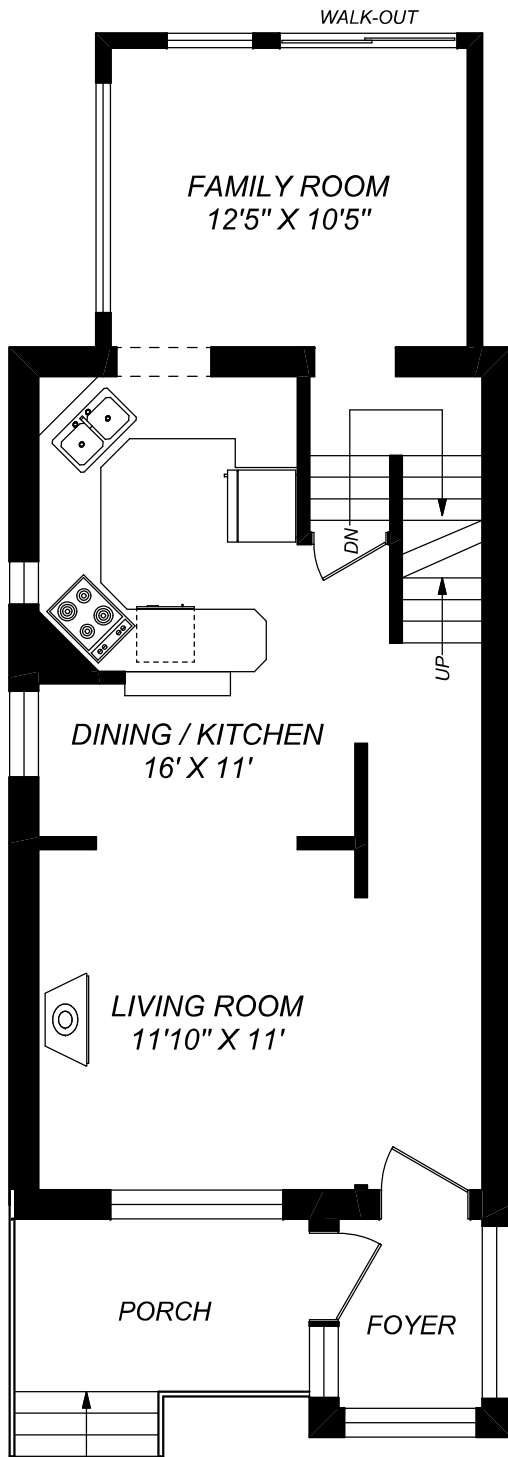
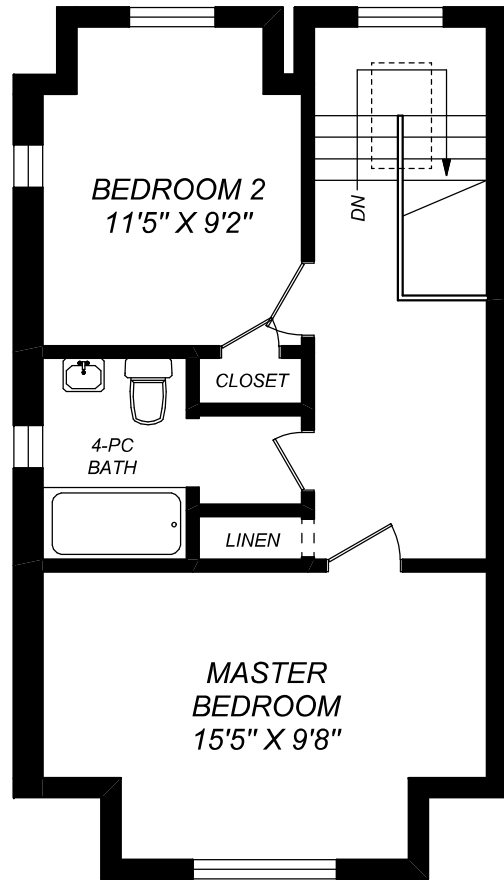


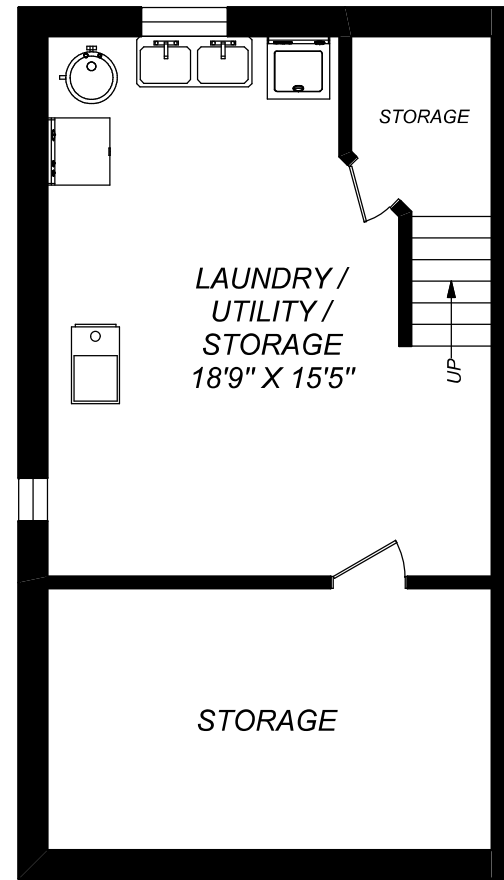
184 ASHDALE AVENUE



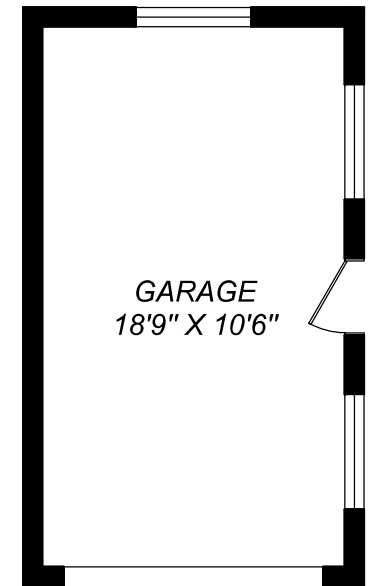
**MAIN FLOOR**  
726 SQUARE FEET



**SECOND FLOOR**  
508 SQUARE FEET



**LOWER LEVEL**  
527 SQUARE FEET



trüPlan

416 573 2096

E & O.E.

Floor plan may not be 100% accurate.

**Kate Watson**

Broker

[katewatson@katewatson.com](mailto:katewatson@katewatson.com)

416-530-1100